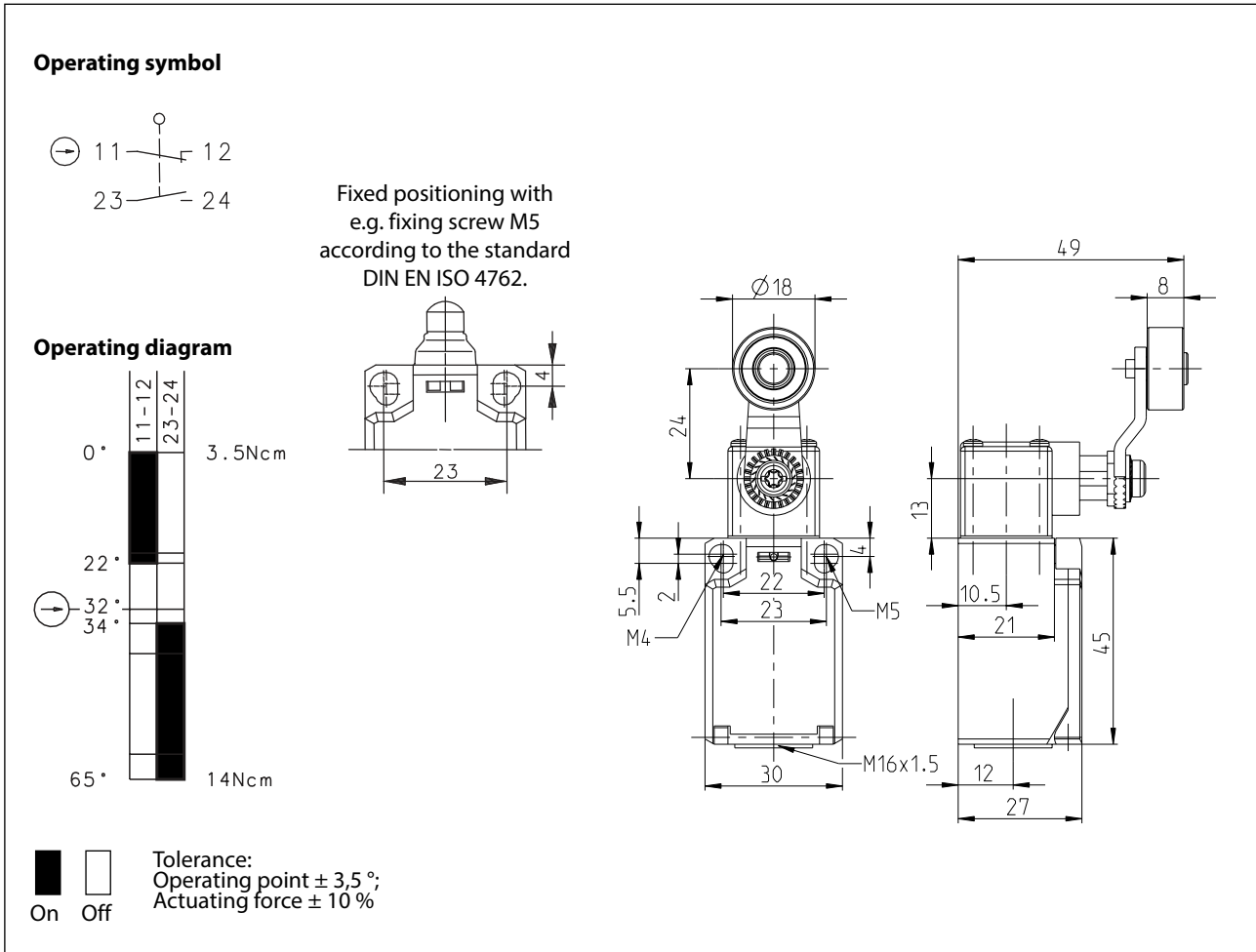


Plastic bodied limit switch

Series TI2

Description **TI2-U1Z AH**

Article number **6088135021**



| Electrical Data | | |
|---------------------------------|-----------|-----------------------------------------------------------------------------------------------|
| Rated insulation voltage | U_i | 250 V AC |
| Conv. thermal current | I_{the} | 10 A |
| Rated operational voltage | U_e | 240 V AC |
| Utilization category | | AC-15, U_e/I_e 240 V / 3 A, 120 V / 6 A; DC-13, U_e/I_e 250 V / 0,27 A, 125 V / 0,55 A |
| Direct opening action | \ominus | acc. to IEC/EN 60947-5-1, Annex K |
| Short-circuit protective device | | Fuse 6 A gG |
| Protection class | | II, totally insulated |

| Mechanical data | |
|--------------------------|-----------------------------------------------------------------------------------------------|
| Enclosure | Thermoplastic, glass fibre reinforced (UL 94-V0) |
| Cover | Thermoplastic, glass fibre reinforced (UL 94-V0) |
| Actuator | Turret head, lever (st), roller (thermoplastic) |
| Ambient air temperature | -30 °C ... +80 °C |
| Contact type | 1 NC, 1 NO (Zb) |
| Mechanical life | 3 x 10 ⁶ operating cycles |
| Switching frequency | ≤ 100 / min. |
| Assembly | 2 x M4 or 2 x M5 fixed position for safety applications |
| Connection | 4 screw connections (M3,5) |
| Conductor cross-sections | Solid: 0,5 ... 1,5 mm ² or Litz wire with ferrules: 0,5 ... 1,5 mm ² |
| Cable entrance | 1 x M16 x 1,5 |
| Weight | ≈ 0,07 kg |
| Installation position | operator definable |
| Protection type | IP65 acc. to EN 60529; DIN VDE 0470 T1 |

| ID for safety engineering | |
|----------------------------------|----------------------------|
| B10d | 6 x 10 ⁶ cycles |

| Actuation |
|--------------------------------------------------------------------------------------------------------------------------------------------------------------------------------------------------------------------------------------------------------------------------------------------------|
| <p>The actuating device is preferably started from 2 sides. By loosening the 4 screws the actuation assembly can be rotated in 90 degree increments such that 8 actuation directions are possible. The actuation assembly is to be again fastened to the housing using the 4 screws.</p> |

| Standards |
|------------------------------------------------|
| VDE 0660 T100, DIN EN 60947-1, IEC 60947-1 |
| VDE 0660 T200, DIN EN 60947-5-1, IEC 60947-5-1 |
| DIN EN ISO 13849-1 |

| EU Conformity |
|------------------------------|
| acc. to directive 2014/35/EU |

| Approvals |
|-----------------------------------------------|
| cCSA _{US} A300, Q300 (same polarity) |
| CCC |
| UL |

| Notes |
|------------------------------------------------------------------------------------------------------------------------------------------------------|
| The degree of protection (IP code) specified applies solely to a property closed cover and the use of an equivalent cable gland with adequate cable. |